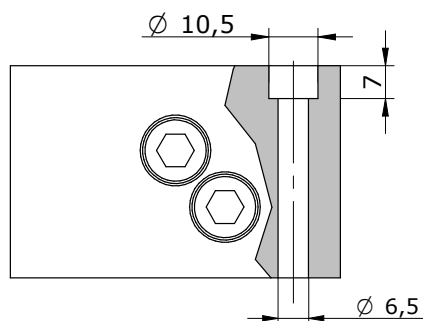
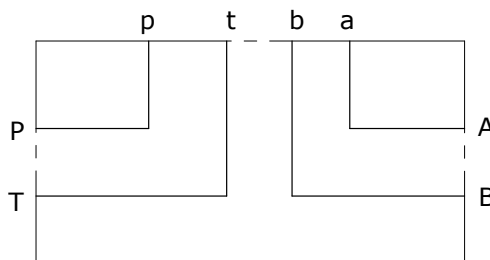
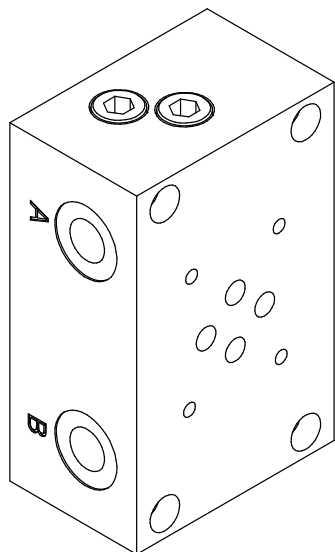
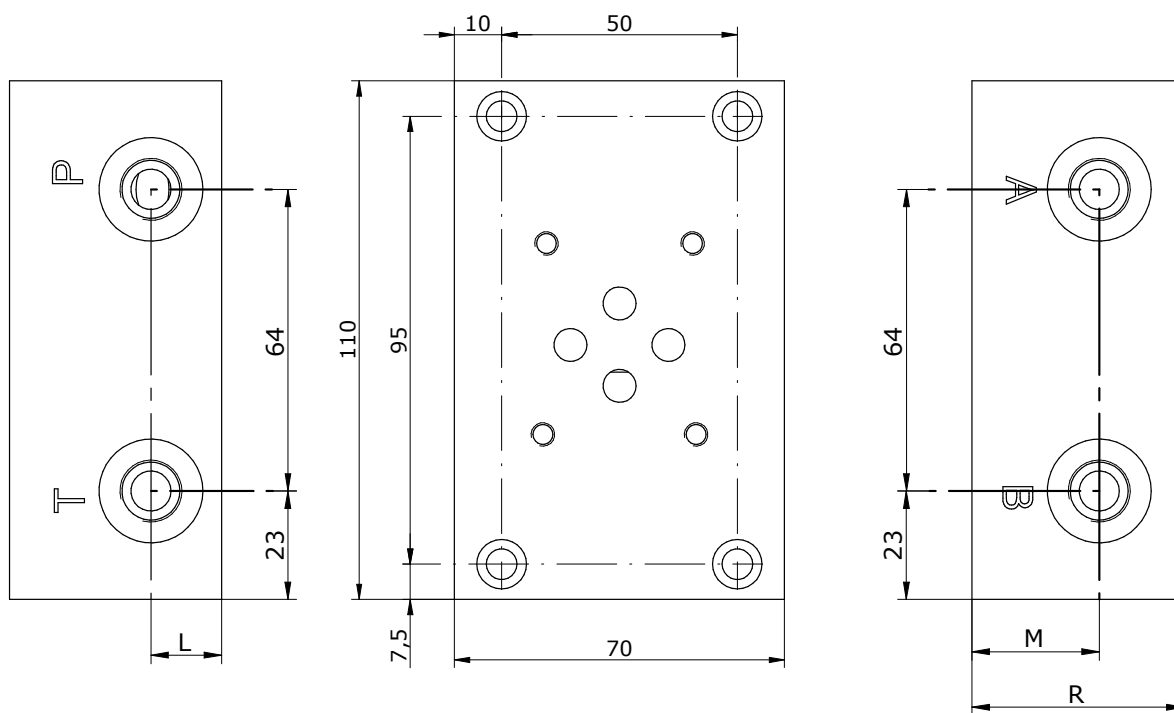


Schema idraulico  
 Hydraulic diagram



VERSION	R	L	M
E_06-08-14	45	15	27
E_06-08-38	45	15	27
E_06-08-12	50	17	29



**E\_06 - 08 -**

**S** = STEEL  
**A** = ALUMINIUM

**14** = BSP 1/4G  
**38** = BSP 3/8G  
**12** = BSP 1/2G